



Technical Data Sheet

AQUA SEALANT – FOAM STRIP



<u>Order code</u>	<u>Info</u>	<u>Picture</u>	<u>Packaging</u>
PGKITTRANSP	Transparent silicone for invisible and waterproof finishing 310 ml		1 box = 12 tubes
NEFOAMSTRIP20	PE foam expansion joint filler 20 m x 10 mm		1 blister = 20 m



Pergo Aqua Sealant is a high-quality professional, transparent and elastic one-component joint sealant based on silicones. Waterproof and in transparent color.

- Ideal for watertight sealing of connection joints between skirting boards and walls, along walls, stairs, radiator tubes, etc.
- Perfect for watertight sealing of profiles.
- Perfect solution for Pergo laminate (waterproof) and Pergo Vinyl (perfect adhesion on Vinyl floors).
- In general: excellent adhesion on Pergo laminate, Pergo Vinyl and parquet, aluminum (profiles), MDF, melamine, PVC.
- UV-resistant: maintains adhesion and consistency in UV-light.

Characteristics:

Permanent elasticity, easy to apply, water resistant, neutral, low odor and non-corrosive.
Frost free: resistant to temperatures between -60° and +180°C.

Usage:

12 m/tube (joint 0.5 x 0.5 cm).

Technical Data Sheet

AQUA SEALANT – FOAM STRIP

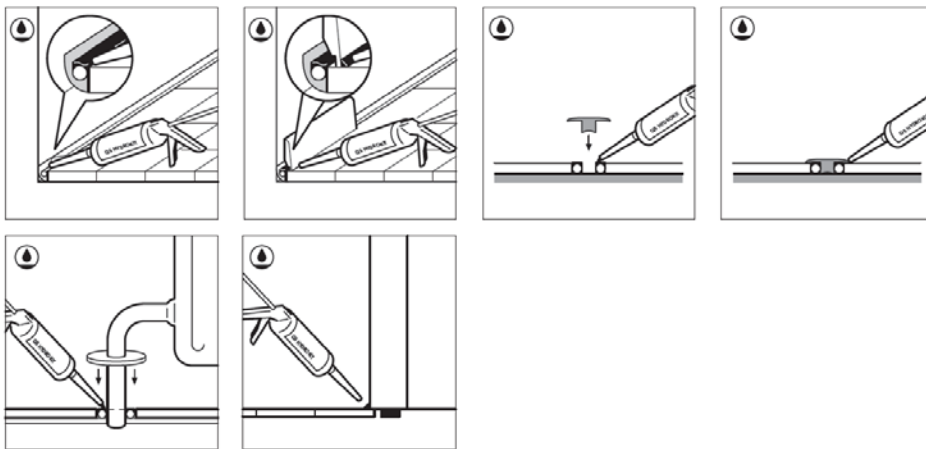
Instructions:

- Apply Pergo Aqua Sealant using a caulk gun on a clean, dry, dust-free and grease-free surface; then smoothen with a putty knife.
- The Pergo Aqua Sealant should preferably be applied at temperatures between +5°C and +30°C.
- Maximum expansion of 25%.

Storage life

Shelf life min. 15 months after production date (refer to batch code) if stored unopened in a cool dry place.

💡 For more info: www.pergo.com.



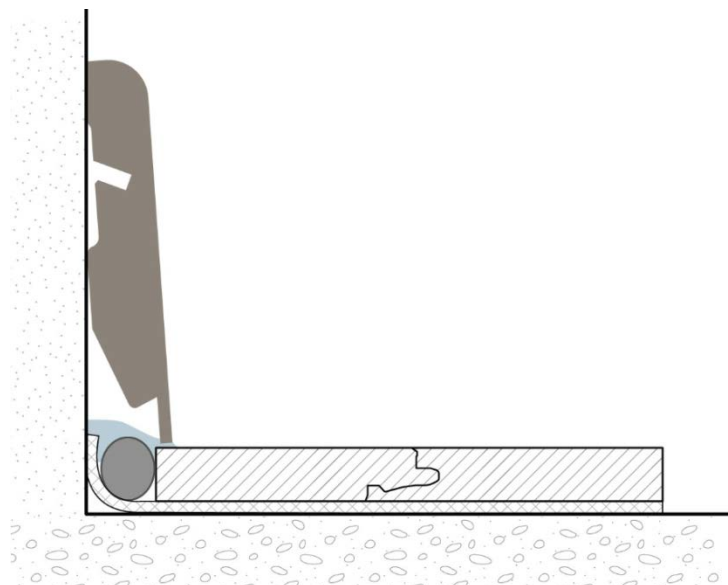
Applications

The use of Aqua Sealant is in the below drawings marked in **blue**.

💡 Remark:

This is how a perfect watertight installation of your skirtings can be achieved: use our PE foam strip (NEFOAMSTRIP20):

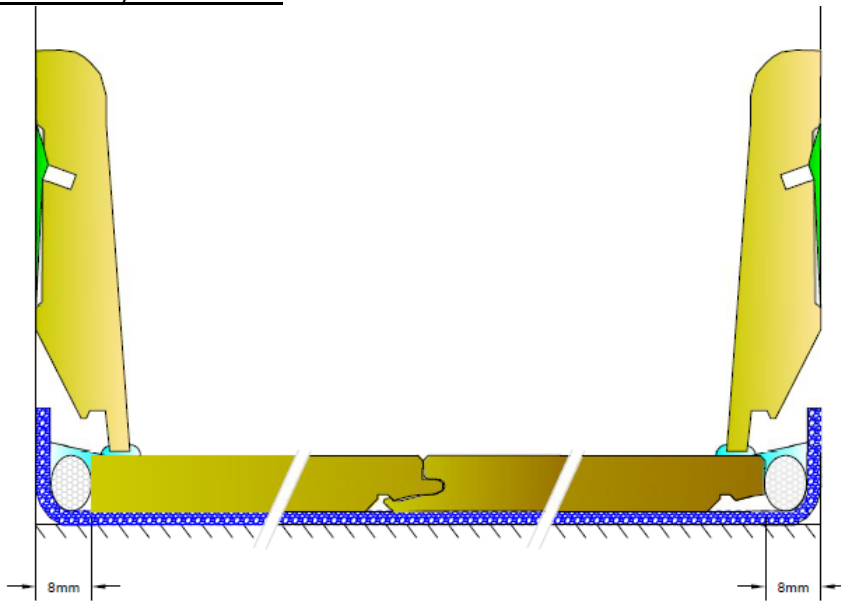
- Underlay to be installed with flap folded upwards
- Extruded profile (foam) to close the expansion gap and avoid excessive use of the Aqua Sealant
- Our skirtings are finished with a water repellent coating at the bottom.



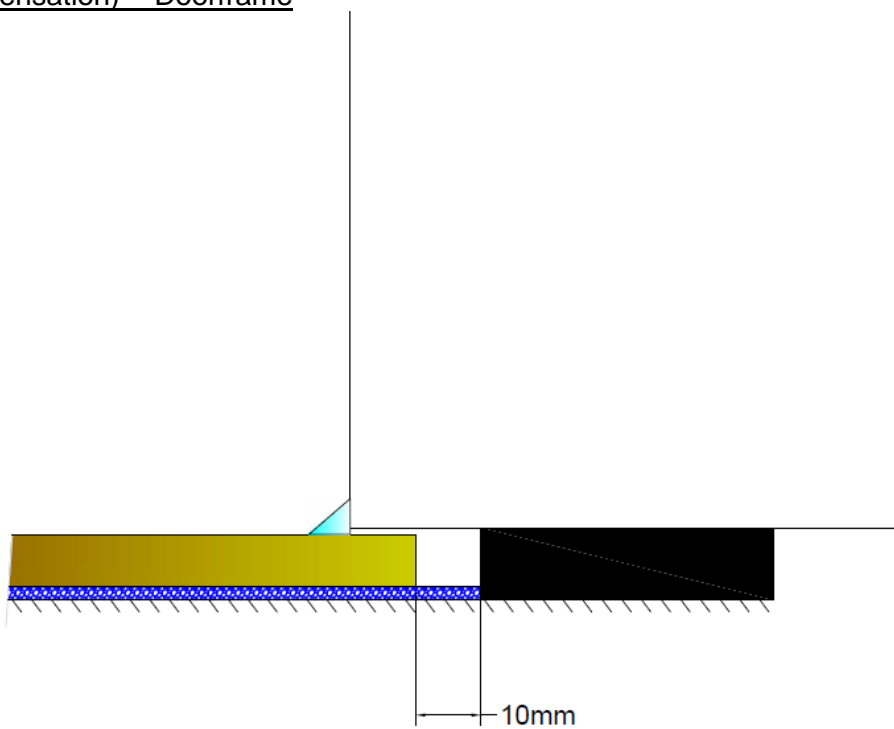
Technical Data Sheet

AQUA SEALANT – FOAM STRIP

(Sensation) – Wallbase



(Sensation) - Doorframe

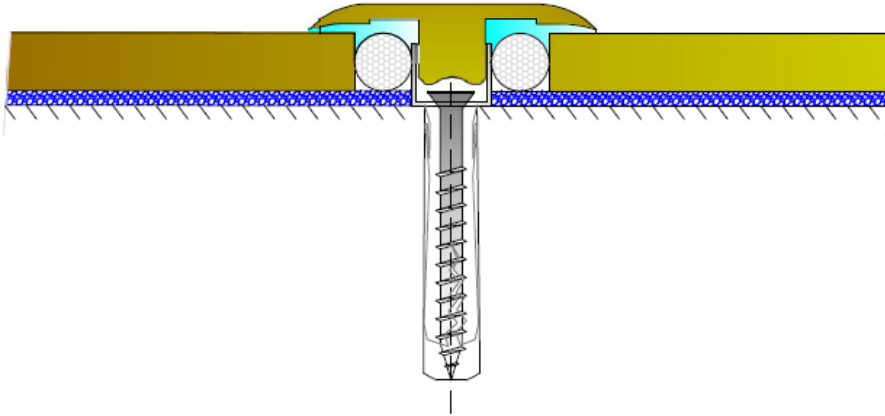


Technical Data Sheet

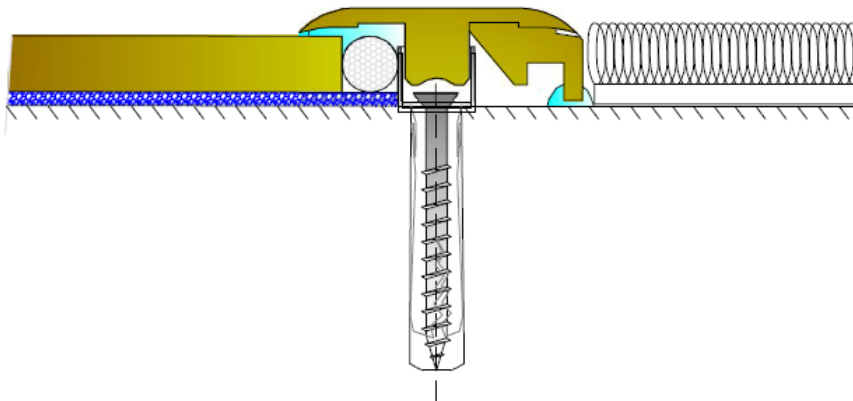
AQUA SEALANT – FOAM STRIP

(Sensation) – 5-in-1

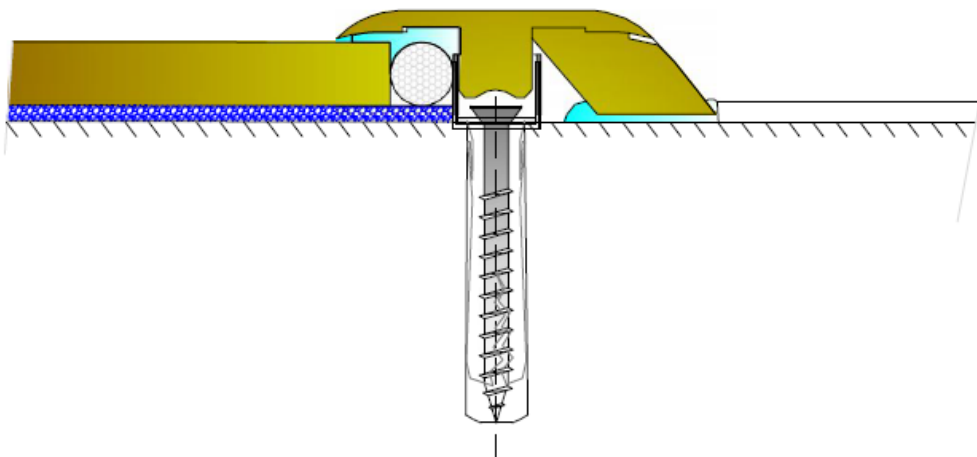
1. T-application



2. End-application



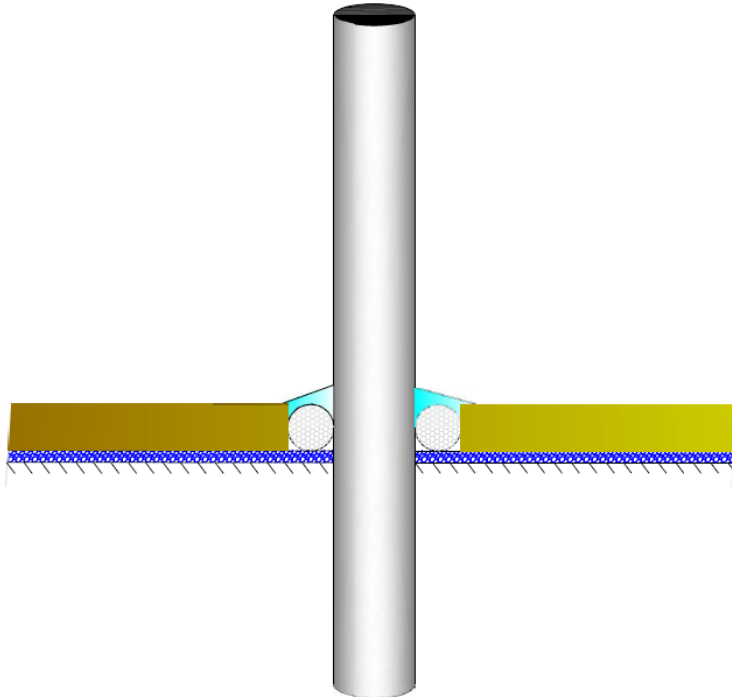
3. Adaptor – application



Technical Data Sheet

AQUA SEALANT – FOAM STRIP

Radiator pipe without pipe cover



Radiator pipe with pipe cover

